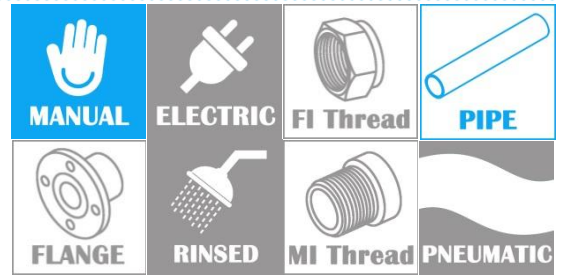
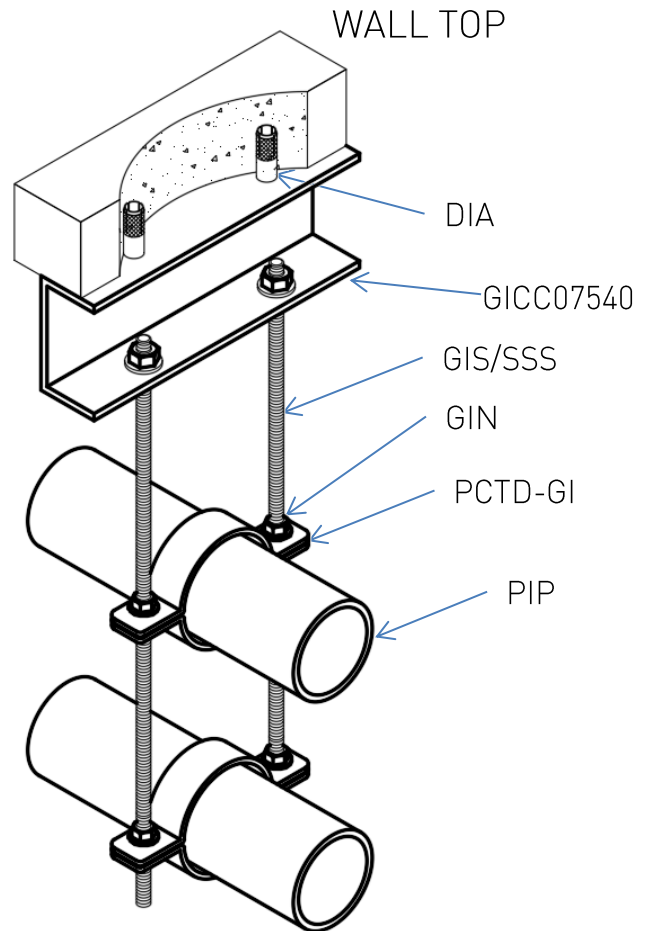
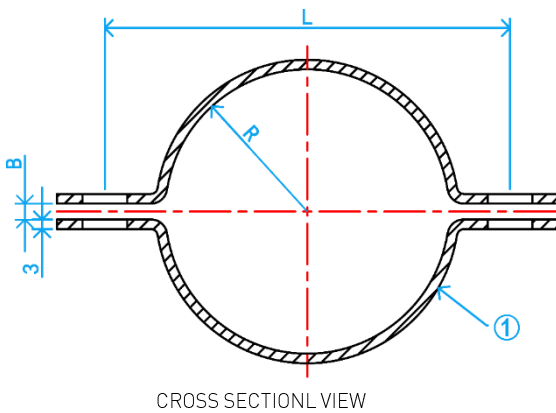


PIPE CLAMP C/W HOT DIPPED GALVANIZED



* Applicable for 1/2" stud rod



COMPONENT PARTS

ITEM	PARTS	MATERIAL
1	Clamp	Hot Dipped Galvanized
2	Bolt	Galvanized Iron

DIMENSIONS

SKU	SIZE (mm)	R (mm)	B (mm)	L (mm)	WEIGHT (Kg)	PCS/CTN
PCTD050GI	50	32	10	130	0.147	100
PCTD065GI	65	39	10	144	0.168	100
PCTD080GI	80	46	10	158	0.193	100
PCTD100GI	100	58	7	182	0.236	100
PCTD150GI	150	85	10	236	0.318	50
PCTD200GI	200	110	9	286	0.410	50
PCTD250GI	250	137	9	340	0.506	50
PCTD300GI	300	163	9	404	0.605	25